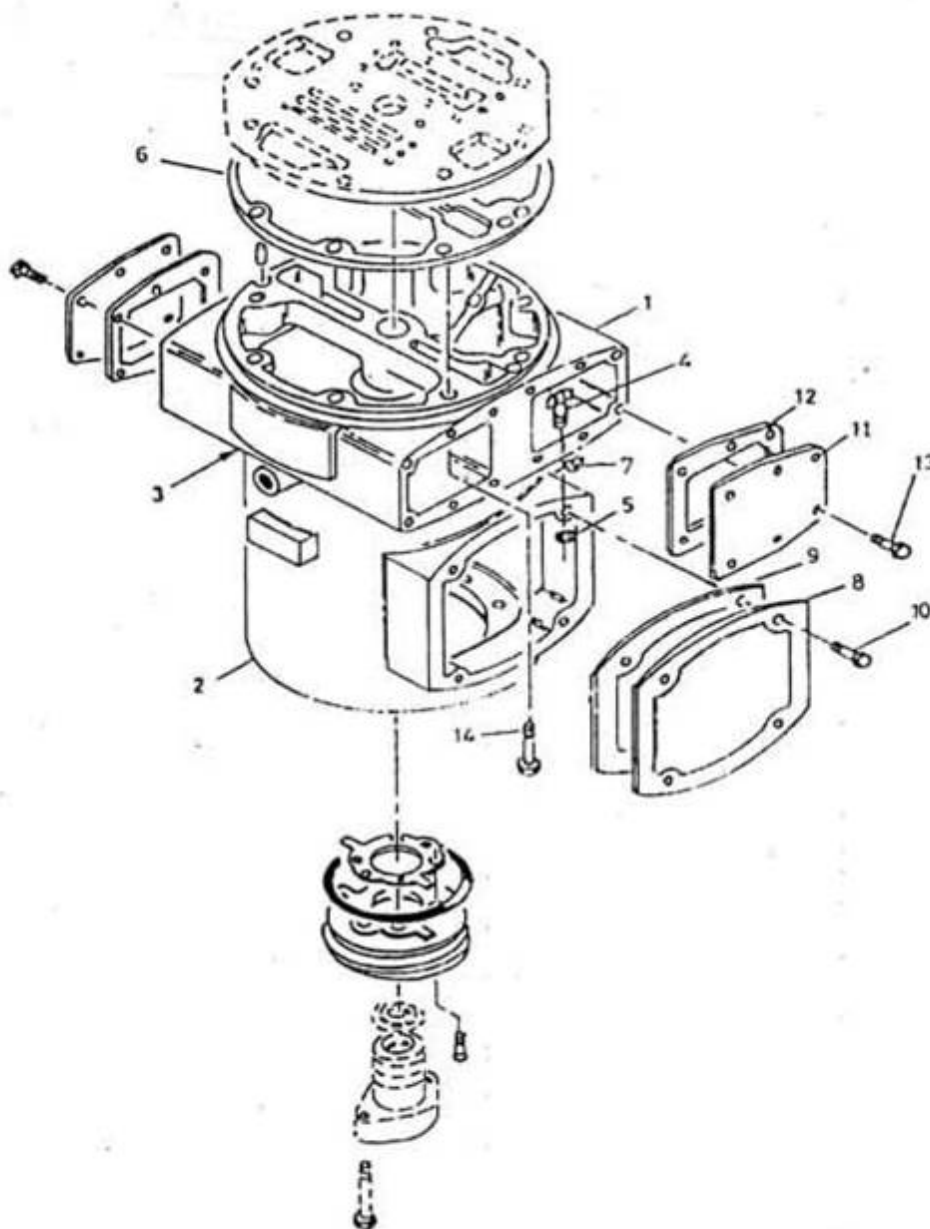


## 16. Assembly head Frame & Distance Piece Model 7 x 5 LUB



All manufacturer's names, numbers, photos, product description and/or part numbers are used for reference purposes only & it is not implied that any part listed is the product of these manufacturers. Since Approvement are made from time to time, the illustration and specifications are subject to change without notice.

## 16. Assembly head Frame & Distance Piece Model 7 x 5 LUB

| COMPRESSOR PARTS LIST                             |                             |              |     |               |                         |
|---|-----------------------------|--------------|-----|---------------|-------------------------|
| ASSEMBLY NAME : ASSEMBLY HEAD FRAME & DIST. PIECE |                             |              |     |               |                         |
| ASSEMBLY DRAWING : FIG-2E                         |                             |              |     |               |                         |
| COMPRESSOR MODEL                                  |                             | 7 X 5<br>LUB | QTY | ILLUS.<br>NO. | RECOM.<br>SPARES<br>QTY |
| SUB ASSEMBLY NO.                                  |                             | 7022 2724    |     |               |                         |
| SR.<br>NO.  | DESCRIPTION                 | PART<br>NO.  |     |               |                         |
| 1   | HEAD FRAME                  | 4200 2816    | 1   | 1             |                         |
| 2   | DISTANCE PIECE              | 4200 3145    | 1   | 2             |                         |
| 3   | GASKET DISTANCE PIECE       | 4051 4507    | 1   | 3             | 1                       |
| 4   | STUD 3/4" X 3-1/4"          | 9573 7417    | 8   | 4             |                         |
| 5   | NUT HEX 3/4"                | 9507 7822    | 8   | 5             |                         |
| 6   | GASKET FRAME HEAD           | 3954 2113    | 1   | 6             | 1                       |
| 7   | PLUG PIPE SQ. HD 1/4"       | 9503 3593    | 2   | 7             |                         |
| 8   | COVER DISTANCE PIECE        | 3018 4261    | 1   | 8             |                         |
| 9   | GASKET COVER DISTANCE PIECE | 3056 2698    | 1   | 9             | 1                       |
| 10  | SCREW CAP HEX 1/2" X 1"     | 9510 4147    | 4   | 10            |                         |
| 11  | COVER VALVE                 | 3708 7954    | 4   | 11            |                         |
| 12  | GASKET COVER                | 3948 6030    | 4   | 12            | 4                       |
| 13  | SCREW CAP HEX 1/2" X 1"     | 9510 4147    | 24  | 13            |                         |
| 14  | SCREW CAP FRAME HEAD        | 3055 6963    | 8   | 14            |                         |